



- Various Product Forms  
There are various product forms including TCM-LPC card, TCM-PCI card, TCM-USB card and TCM chip for different application.

- IIC Interface  
IIC interface on chip is designed for embedded systems, such as cell phone and PDA.

- TSM for diverse OS  
TSM and drivers are available for Windows 7/ Windows Vista/Windows XP /Linux OS.

## Trusted Computing Security Solution

From TMC (Tongfang Microelectronic Co., Ltd)

Tongfang trusted computing security solution is designed in compliance with *Functionality and Interface Specification of Cryptographic Support Platform for Trusted Computing* specified by China TCM Union (TCMU). This solution which is applied in the field of Internet devices including PC, Netbook, PDA and so on, consists as follows:

SSX0908 TCM security chip

BIOS driver (MA/MP)

SSX0908 chip driver, available for Windows 7/Vista/XP and Linux

TSM, available for Windows 7/Vista/XP and Linux

Application software, available for Windows 7/Vista/XP and Linux

Testing and manufacturing debugging tools

• **Various Product Forms**

There are various product forms including TCM-LPC card, TCM-PCI card, TCM-USB card and TCM chip for different application.

• **IIC Interface**

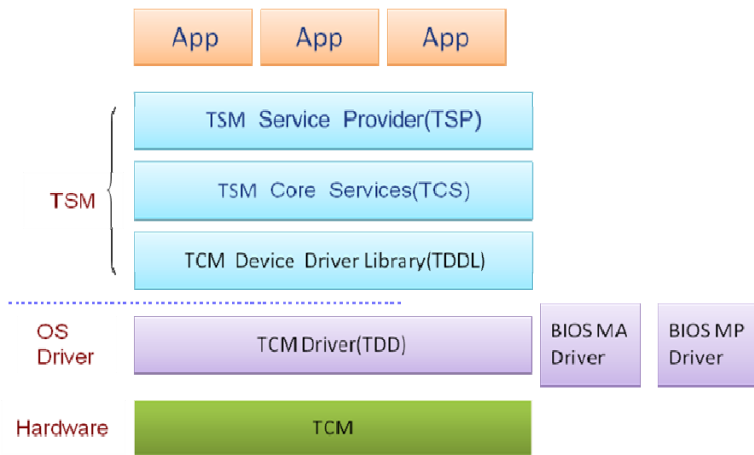
IIC interface on chip is designed for embedded systems, such as cell phone and PDA.

• **TSM for diverse OS**

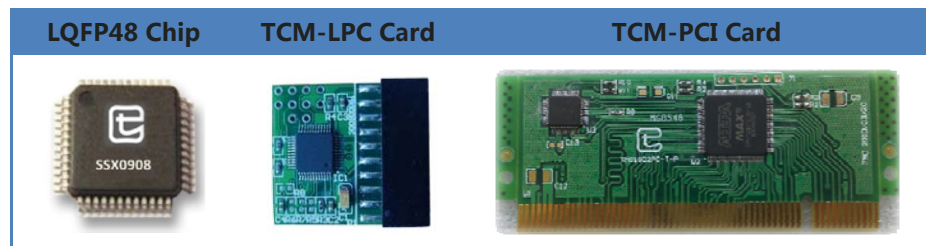
TSM and drivers are available for Windows 7/ Windows Vista/Windows XP /Linux OS.

**Tongfang trusted computing security solution provides functions as follows:**

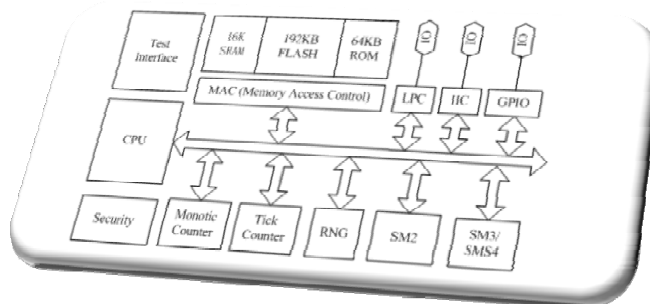
- Providing platform ID authentication for the device
- Providing integrity measuring, storage and reporting services for the device (trusted platform certification)
- Providing cryptographic services including data encryption and access authorization, etc., for the device
- Providing a platform data protection mechanism for the device
- Providing a key management solution for the device



**Product Forms**



**SSX0908 Chip Structure**



Beijing Tongfang Microelectronic Co., Ltd. (TMC)

Tel: 8610-82351818

Fax: 8610-82357168

Addr: Floor 11, Quantum Plaza, No 27 Zhi Chun Road, Hai Dian District, Beijing( 100191)

- **Various Product Forms**

There are various product forms including TCM-LPC card, TCM-PCI card, TCM-USB card and TCM chip for different application.

- **IIC Interface**

IIC interface on chip is designed for embedded systems, such as cell phone and PDA.

- **TSM for diverse OS**

TSM and drivers are available for Windows 7/Windows Vista/Windows XP /Linux OS.

Beijing Tongfang Microelectronic Co., Ltd. (TMC)

Tel: 8610-82351818

Fax: 8610-82357168

Addr: Floor 11, Quantum Plaza,  
No 27 Zhi Chun Road, Hai Dian  
District, Beijing( 100191)

## Q&A

### **Q : What kind of application software does TMC' s trusted computing security solution provide?**

**A :** TMC's trusted computing security solution provides application software, such as, password box, virtual encrypted disk and so on. Password box is kind of software to protect the user's password from stealing. The password will be encrypted and stored in the TCM chip. Besides, the password box provides Password security strength test function. Virtual encrypted disk based on the TCM chip provides the users security space on the disk. All the files in the virtual encrypted disk can only be opened by authorized users, because they are stored on the disk encrypted by TCM chip.

### **Q : Does TMC' s trusted computing security solution support the Ubuntu OS?**

**A :** TMC's trusted computing security solution supports the Linux core OS. TMC provides TSM, chip driver and application software for Linux OS , which are convenient for customers developing application on Linux OS.

### **Q : I want to develop the trusted computing security platform based on the ARM structure, but there is no LPC interface on board. Does there need a chip to convert the LPC to other interface supported by ARM?**

**A :** TMC's TCM chip has the IIC interface for embedded system, so there is no need of another converting chip.

### **Q : The security of mobile devices has become an increasing demand, how to realize trusted computing security platform in Android system?**

**A :** Android system is often developed based on ARM structure, and the TMC's TCM chip can communicate with ARM through IIC interface. At the same time, TMC has developed the special version of TSM for Android system, which improves the computing speed without reducing the security. So TMC's trusted computing security solution is the best choice for the mobile device such as iPad.

### **Q : I want to build the trusted computing network , but the old PCs do not have LPC interface. How to solve this problem?**

**A :** TMC's trusted computing security solution provides TCM-PCI card, TCM-USB card and many other product forms. The old PCs can update by PCI or USB interface.

### **Q : If the layout of laptop' s motherboard has already been fulfilled without reserving the space for TCM chip, is there any way to realize trusted computing function?**

**A :** TMC has developed TCM-USB card for laptop. The card, which is very small and suitable for installing in the laptop, can communicate with the laptop by miniPCIE interface.